

Please note that the data given here has been taken from the online catalog. For comprehensive information and data, please refer to the user documentation at <http://www.download.phoenixcontact.com>. The General Terms and Conditions of Use apply to Internet downloads.

► Extract from the online catalog

Tongue for attaching the CN-UB..., to housing panels, for example.



Order No.	2818135
Ord designation	CN-UB/MP
EAN	4017918148362
Pack	10 Pcs.
Customs tariff	85389099
Weight/Piece	0.02075 KG
Catalog page information	Page 154 (TT-2007)

► Product notes

WEEE/RoHS-compliant since: 03/28/2006



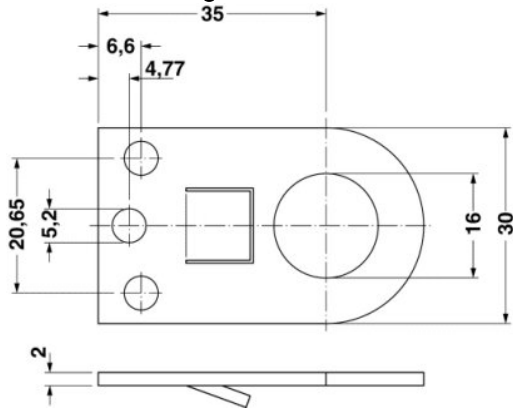
IMPORTANT : This date is valid for Customers in Germany only. Date Format is MM/DD/YYYY. Please contact your local in-country Phoenix Contact location or designated business partner for a Logistics Compliant date in your area. In order to guarantee delivery of RoHS-Compliant product, please purchase Phoenix Contact parts from authorized Phoenix Contact representatives and distributors.

CN-UB/MP



▶ Drawings

Dimensioned drawing



► Address

PHOENIX CONTACT GmbH & Co. KG
Flachsmarktstr. 8
32825 Blomberg
Germany
Phone +49 5235 3 00
Fax +49 5235 3 41200
<http://www.phoenixcontact.de>
Phoenix Contact
Technical modifications reserved;